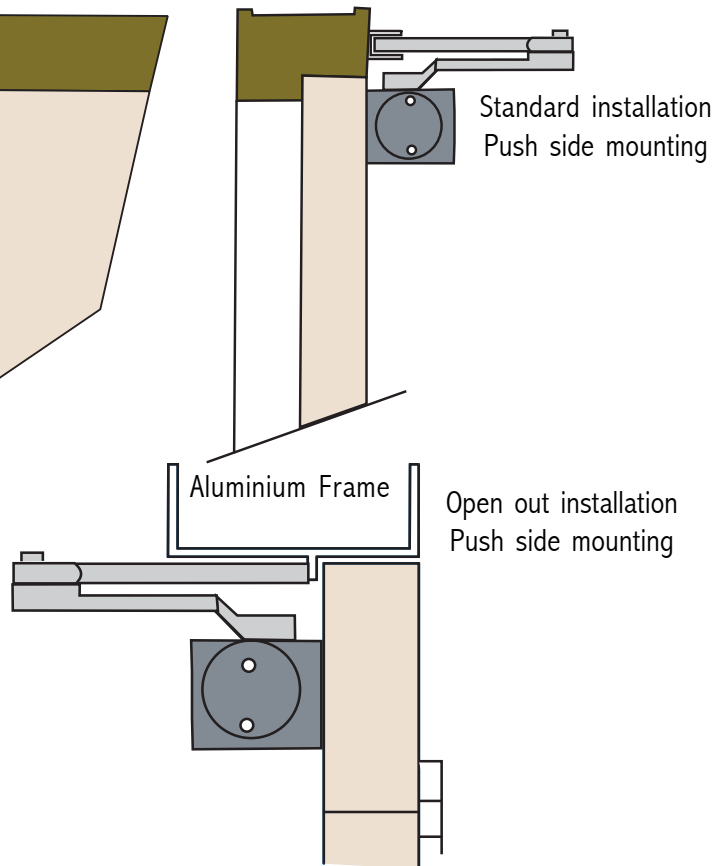
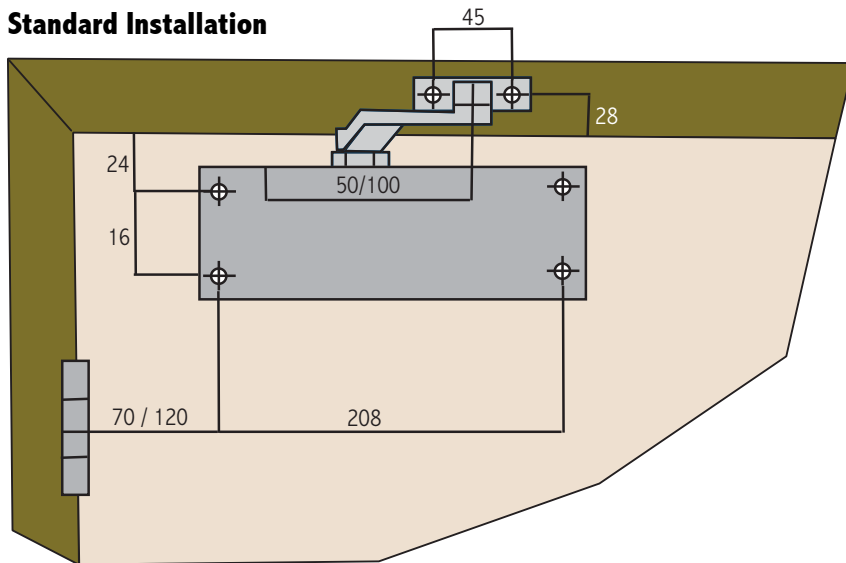


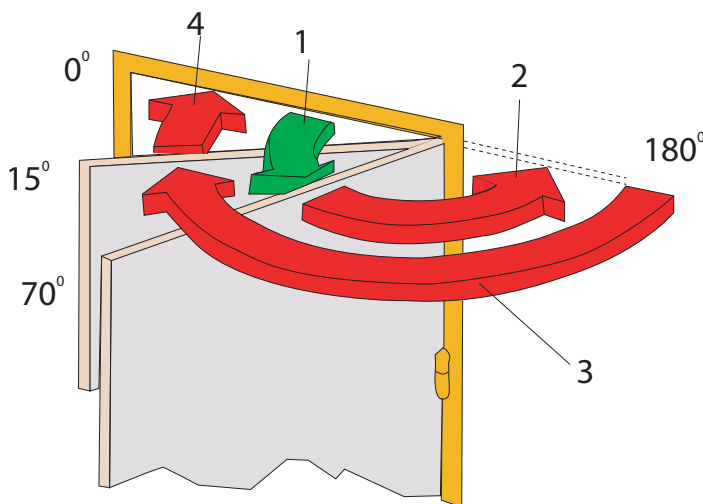
Standard Installation



Ordering Procedure:

Nominate model, accessories and finish

e.g GR150/HO/silver
GR150/NHO/silver



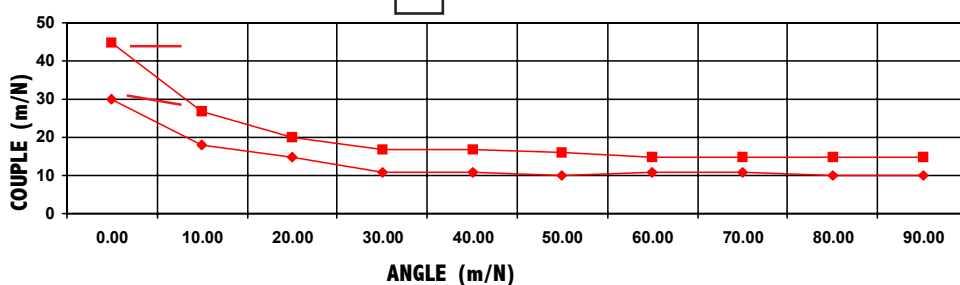
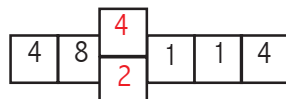
Operation and Control

Standard with activated backcheck and disengaged delayed action

- **Zone 1:** Standard opening of the door, up to 70°
- **Zone 2:** From 70° to 180° (depending on door design) the back check ensures the deceleration of the door's opening speed. Backcheck is adjustable by valve optional BF model.
- **Zone 3:** Fully controlled closing up to the final 15°.
- **Zone 4:** Latch control adjustable by valve.

Application: For use on outward opening doors where high winds are a problem or on heavy traffic doors to prevent damages to doors, walls, hinges.

Coding System



Door Stop

A door stop should always be used to prevent the closer mounting from damage and the closer opening beyond its templated limit. Locate a door stop no less than $\frac{2}{3}$ of the door width away from the pivot centre.