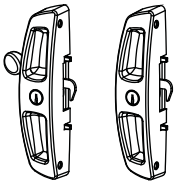
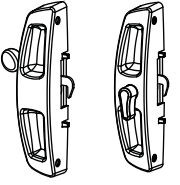
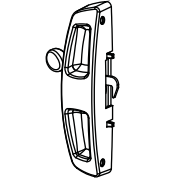
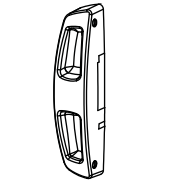
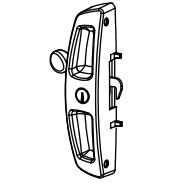
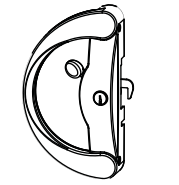
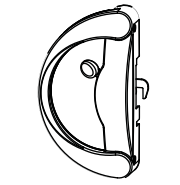
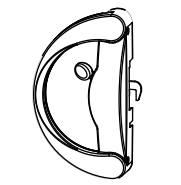
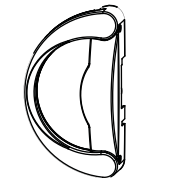
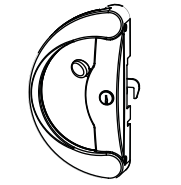
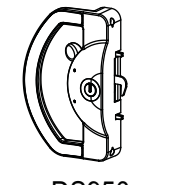
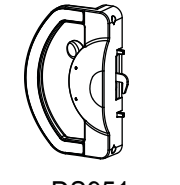
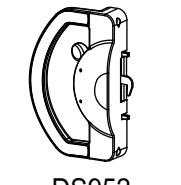
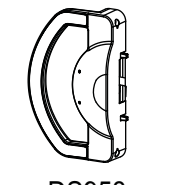
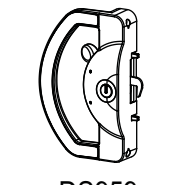
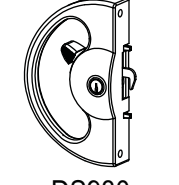
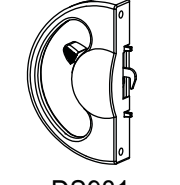
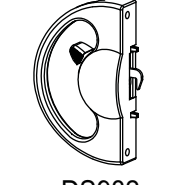
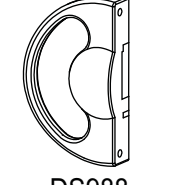
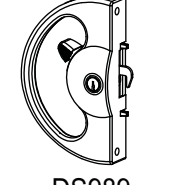
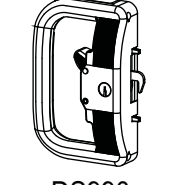
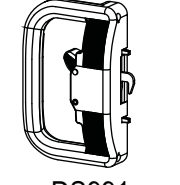
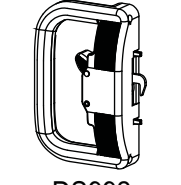
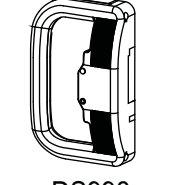
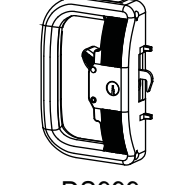










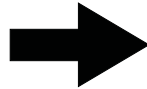


Interior					
DeadLock	Latch	Lock	Dummy	Low Slot (Note: DS22 Keeper Only)	Finish
 DS910 DS915	 DS911 DS914	 DS912	 DS918	 DS919	Plain & PC.
 DS920	 DS921	 DS922	 DS928	 DS929	Plated & PC.
 DS950	 DS951	 DS952	 DS958	 DS959	Plain & PC.
 DS980	 DS981	 DS982	 DS988	 DS989	Plain & PC.
 DS990	 DS991	 DS992	 DS998	 DS999	Plain & PC.
*All lock sets are available in Disc Cylinders & Pin Cylinders					














Select  
External  
Handle

Exterior		
With Cylinder	Without Cylinder	Finish
 DS886	 DS887	PC
 DS840	 DS841	PC
 DS842	 DS843	PC & Plated
 DS888	 DS889	PC
 DS890	 DS891	PC & Plated



Select Keeper

Keepers			
With Badging	Finish	No Badging	Finish
 DS48	PC Blk Mill	 DS18	PC
 DS52	PC Blk Mill	 DS20N	PC Blk Mill
 Suits DS910 Only	PC	 DS42	PC Blk Mill
		 DS21	PC
		 DS10	Mill Finish
		 Suits DS940 Only	PC & Plated
		 DS22	Mill Finish
		 DS97	PC & Plated

**Example of Ordering:** e.g. Ds980 / Ds890/ DS 42 / BWN/ M5 X30

**Available Screw Lengths:** M5 X 20, M5 X 24, M5 X30, M5 X 35, M5 X 40

Note: Screw length required is calculated by adding 5 to 10mm to the width of the extrusion through which the screw must pass.